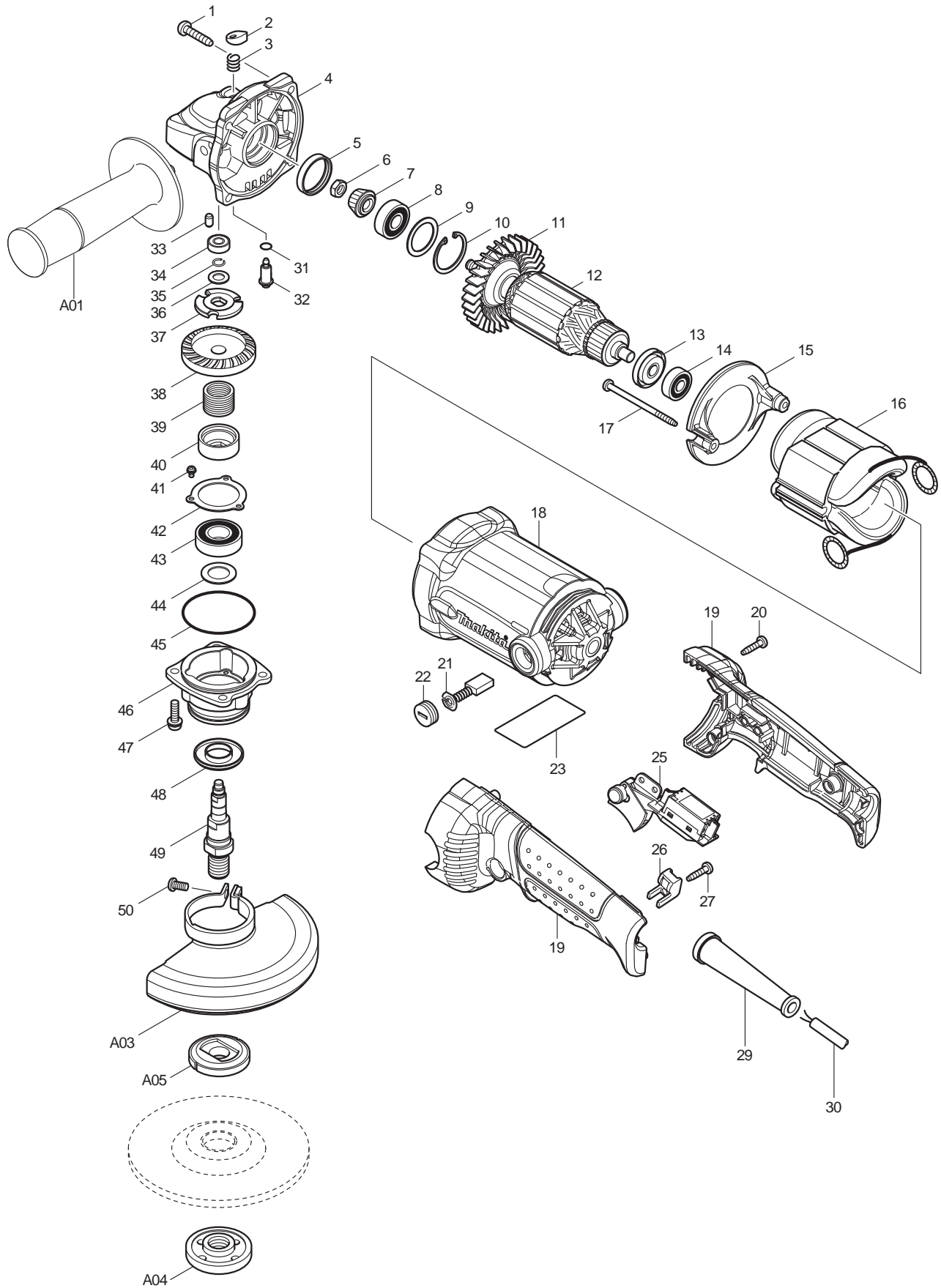




07 - 2010
GA5020Y
5" GRINDER, SJS, LOCK-OFF



Item No	Type	Ref	Part No	Description	Qty	Unit
1			266041-8	TAPPING SCREW 5X25	4	PC.
2			417771-6	PIN CAP	1	PC.
3			234057-1	COMPRESSION SPRING 8	1	PC.
4			318158-4	GEAR HOUSING	1	PC.
5			262132-3	RUBBER RING 27	1	PC.
6			264010-3	HEX.NUT M7	1	PC.
7			227517-0	SPIRAL BEVEL GEAR 13	1	PC.
8	2		210059-1	BALL BEARING 6000DDW (Nylon)	1	PC.
9			267352-4	FLAT WASHER 22	1	PC.
10			962107-9	RETAINING RING (INT) R-30	1	PC.
11			240094-5	FAN 70	1	PC.
12			513706-6	ARMATURE ASS'Y 115V	1	PC.
		INC.		Item No. 11, 13, 14	1	PC.
13			681644-1	INSULATION WASHER	1	PC.
14			210005-4	BALL BEARING 608DDW	1	PC.
15			419961-7	BAFFLE PLATE	1	PC.
16	1		525771-3	FIELD ASS'Y 115V (TYPE 1)	1	PC.
		INC.	654020-2	RING TERMINAL	1	PC.
		INC.	654501-6	CONNECTOR P-1.25	1	PC.
	2		520057-0	FIELD ASS'Y 115V (TYPE 2)	1	PC.
		INC.	654020-2	RING TERMINAL	1	PC.
		INC.	654555-3	CONNECTOR 34130	1	PC.
17			266340-8	TAPPING SCREW 4X65	2	PC.
18	1		158438-4	MOTOR HOUSING COMPLETE (TYPE 1)	1	PC.
		INC.	643708-9	BRUSH HOLDER 5-11	2	PC.
		INC.	810341-4	CAUTION LABEL	1	PC.
	2		158363-9	MOTOR HOUSING COMPLETE (TYPE 2)	1	PC.
		INC.	643708-9	BRUSH HOLDER 5-11	2	PC.
		INC.	810341-4	CAUTION LABEL	1	PC.
19			188291-4	HANDLE SET	1	SET
20			266326-2	TAPPING SCREW 4X18	4	PC.
21	1		191979-7	CARBON BRUSH CB-311 2PC/SET (W/O ORIGIN) -N/L/A	1	SET
	2		194998-2	CARBON BRUSH CB-311 2PC/SET (W/ ORIGIN)	1	SET
22			643750-0	BRUSH HOLDER CAP	2	PC.
23			868995-1	NAME PLATE GA5020Y	1	PC.
25			651197-4	SWITCH TG933TLB-1	1	PC.
26			687260-7	STRAIN RELIEF	1	PC.
27			266326-2	TAPPING SCREW 4X18	1	PC.
29			682505-8	CORD GUARD 10-90	1	PC.
30			664265-4	CORD WITH PLUG 2P-16-2.5M, SJ	1	PC.
31			213977-2	O RING 7	1	PC.
32			256505-0	SHOULDER PIN 5	1	PC.
33			263002-9	RUBBER PIN 4	1	PC.
34			210006-2	BALL BEARING 696ZZ	1	PC.
35			233926-3	RING SPRING 7	1	PC.
36			253835-0	FLAT WASHER 8	1	PC.
37	1		267807-9	LOCK WASHER (TYPE 1) - N/L/A	1	PC.
	2		267811-8	LOCK WASHER (TYPE 2)	1	PC.
38			227519-6	SPIRAL BEVEL GEAR 34B	1	PC.
39			233957-2	LOCK SPRING 16	1	PC.
40			324833-2	LOCK SLEEVE	1	PC.
41			911003-8	PAN HEAD SCREW M3X6	3	PC.
42			285728-3	BEARING RETAINER 39	1	PC.

Item No	Type	Ref	Part No	Description	Qty	Unit
43			211236-8	BALL BEARING 6002DDW (TYPE 2)	1	PC.
44			253853-8	FLAT WASHER 15	1	PC.
45			213624-5	O RING 48	1	PC.
46	1		318160-7	BEARING BOX (TYPE 1)	1	PC.
	2		318299-6	BEARING BOX (TYPE 2)	1	PC.
47			265131-4	PAN HEAD SCREW M5X18	4	PC.
48			345464-4	LABYRINTH RING	1	PC.
49			324790-4	SPINDLE A	1	PC.
50			265103-9	PAN HEAD SCREW M5X14(F/125419-3)	1	PC.
51			251391-4	PAN HEAD SCREW M5X16(F/135108-2)	1	PC.
D01			652044-2	+BIND SCREW M3.5X5.0	3	PC.
D02	1		654037-5	INSULATED TERM. FK1.25-3M (TYPE 1)	3	PC.
	2		654117-7	INSULATING TERMINAL (TYPE 2)	3	PC.
E01			654532-5	TERMINAL BLOCK 1P	1	PC.

ACCESSORIES - See catalogue or visit www.makita.ca for more accessories -

A01			153504-2	GRIP 36 COMPLETE	1	PC.
A02			782424-9	LOCK NUT WRENCH 28	1	PC.
A03	1		125419-3	WHEEL COVER 125 ASS'Y - N/L/A	1	PC.
		INC.		Item No. 50		
	2		135108-2	TOOLLESS WHEEL COVER 125 ASS'Y	1	PC.
		INC.		Item No. 51		
	Opt.		122641-3	WHEEL COVER F/5", F/ CUT-OFF	1	PC.
A04			224568-4	LOCK NUT 5/8-45 (FOR D.C.W.)	1	PC.
	Opt.		193048-0	LOCK NUT 5/8-48 (FOR SANDING)	1	PC.
A05			224399-1	INNER FLANGE 45	1	PC.
	Opt.		224029-4	INNER FLANGE 40	1	PC.
A06			A-85313	5" CUT-OFF WHEEL (7/8")	1	PC.
			D-20909	5" C.O.W. A30S	1	SET
			A-83602	5" CUT-OFF WHEEL (7/8")	1	PC.
			D-18574	5" C.O.W A30	1	SET
A07	1		162258-0	VIBRATION PROOF GRIP - BULK	1	PC.
A07	2		194514-0	VIBRATION PROOF GRIP - PKG	1	PC.
A10			743015-1	RUBBER PAD 115, F/5"	1	PC.
A11			194483-5	LOOP HANDLE SET	1	SET
		INC.	416256-9	LOOP HANDLE	1	PC.
		INC.	450189-8	SPACER A	1	PC.
		INC.	450190-3	SPACER B	1	PC.
		INC.	783204-6	HEX WRENCH 6	1	PC.
		INC.	922453-2	HEX. SOCKET SCREW M8X30	2	PC.
A12			194482-7	DUST COVER ATTACHMENT	1	PC.
A13			195236-5	DUST COVER SET (115mm & 125mm)	1	PC.
		INC.	165596-9	SET PLATE	1	PC.
		INC.	252096-9	HEX. CAP NUT M4	1	PC.
		INC.	451765-1	SUPPORT COVER	1	PC.
		INC.	451766-9	PLATE	1	PC.
		INC.	451767-7	COVER	1	PC.
		INC.	743332-9	BRUSH A	1	PC.
		INC.	743333-7	BRUSH B	1	PC.

SERVICE CHANGES

See Technical Information #Z12397 for Wiring Change